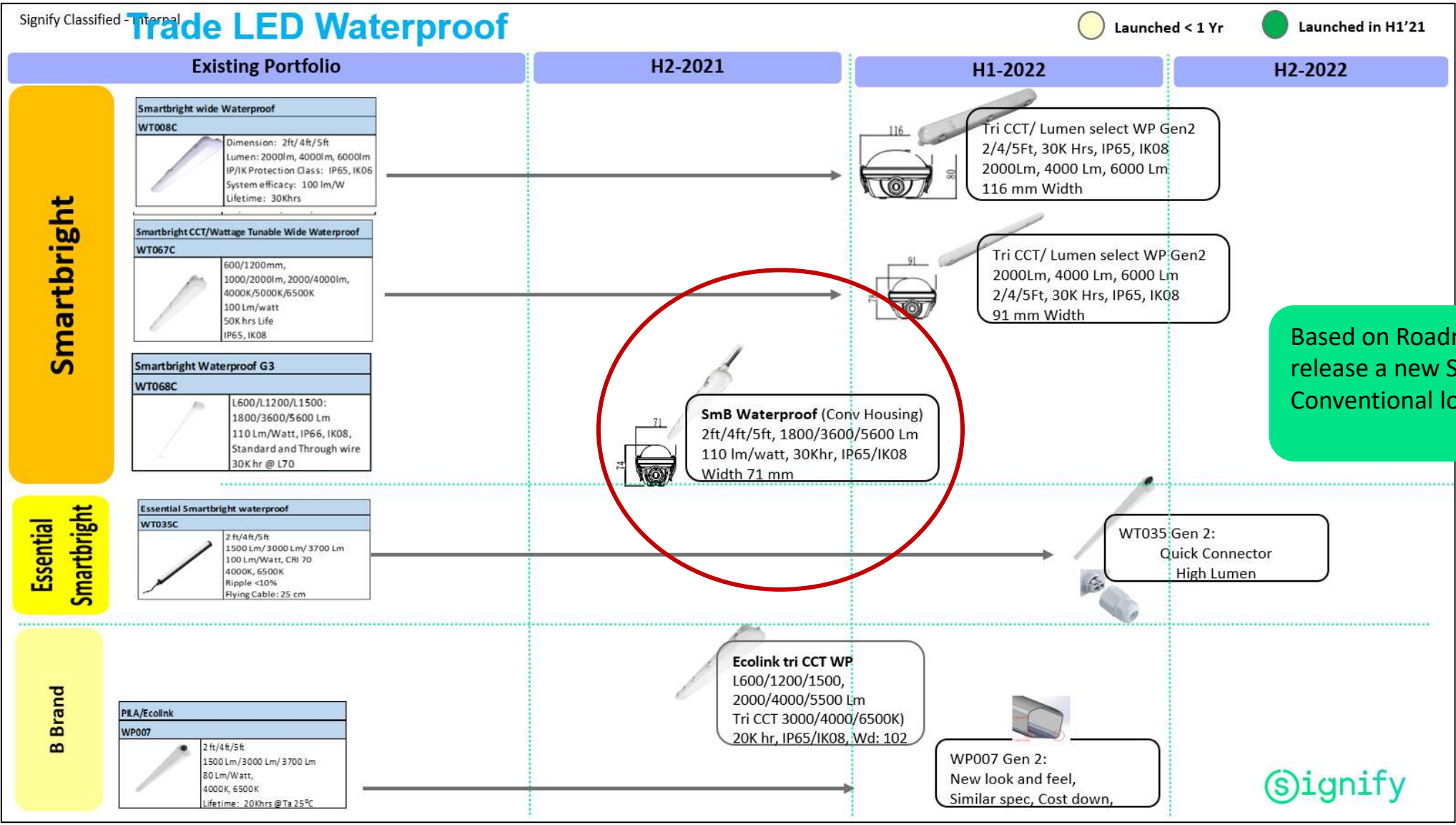




Smartbright Waterproof
WT065C
Launch Document

Saurabh Sinha Oct 2021



Based on Roadmap commitment (Jul'21) to release a new Smartbright Waterproof with Conventional look & feel



Smartbright Waterproof Batten: WT065C



Application: Cove, Ambient, Retail, Industry

Unique selling point

- **30K Hr L70B50, 3 Years Warranty**
- **Efficacy: 115 Lm/Watt**
- **Available in 2 CCTs and 2 Lengths**
- **2 Lumen Output option for each Length**
- **IP65, IK08: Strong and Reliable**

The Smartbright Waterproof range provides maximum performance and durability at great value. As an off-the-shelf LED luminaire solution for all your everyday needs, it can be deployed in a wide variety of locations.

Smartbright Waterproof WT065



Window: TBD

Region: Eu, GCGM

Claim:

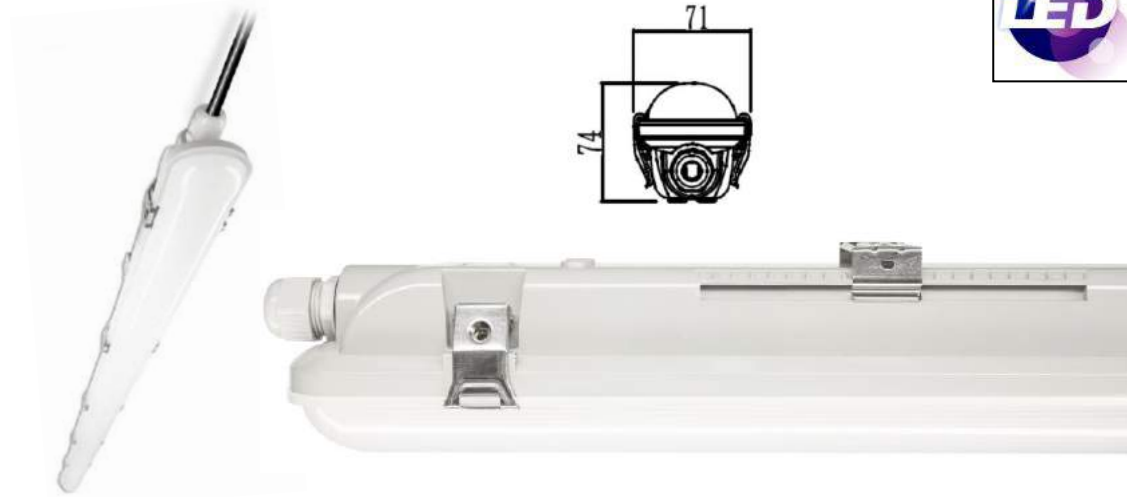
High efficient **wide base lum** for full range of general lighting application

Features & Benefits:

- Conventional look and feel Luminaire
- Peace of mind: 3Years Warranty
- Energy efficient: 110 Lm/Watt

Key specifications + range:

- L1200/L1500, 2400/4800 Lm (L1200), 3500/6800 Lm (L1500)
- Efficacy 115 Lm/Watt
- 4000 /6500K
- CRI 80,
- Lifetime 30K hrs (L70B50) @25° C,
- 220-240V~ 50/60Hz, PF: ≥0.9
- IP65/IK08,
- 220-240V, 50/60Hz, PF: >0.9
- Housing: PC, Diffuser PC
- Width/Hight: 71mm Width



Application: Factory, warehouse, Parking, retail space

AFSP:

Smartbright Waterproof WT065

Pictures



Tool-free opening



Cover attached to housing with small hooks

Smartbright Waterproof WT065

1. Connection the cable requires opening LED boards



2. Push-in connector placed at the back side of LED board

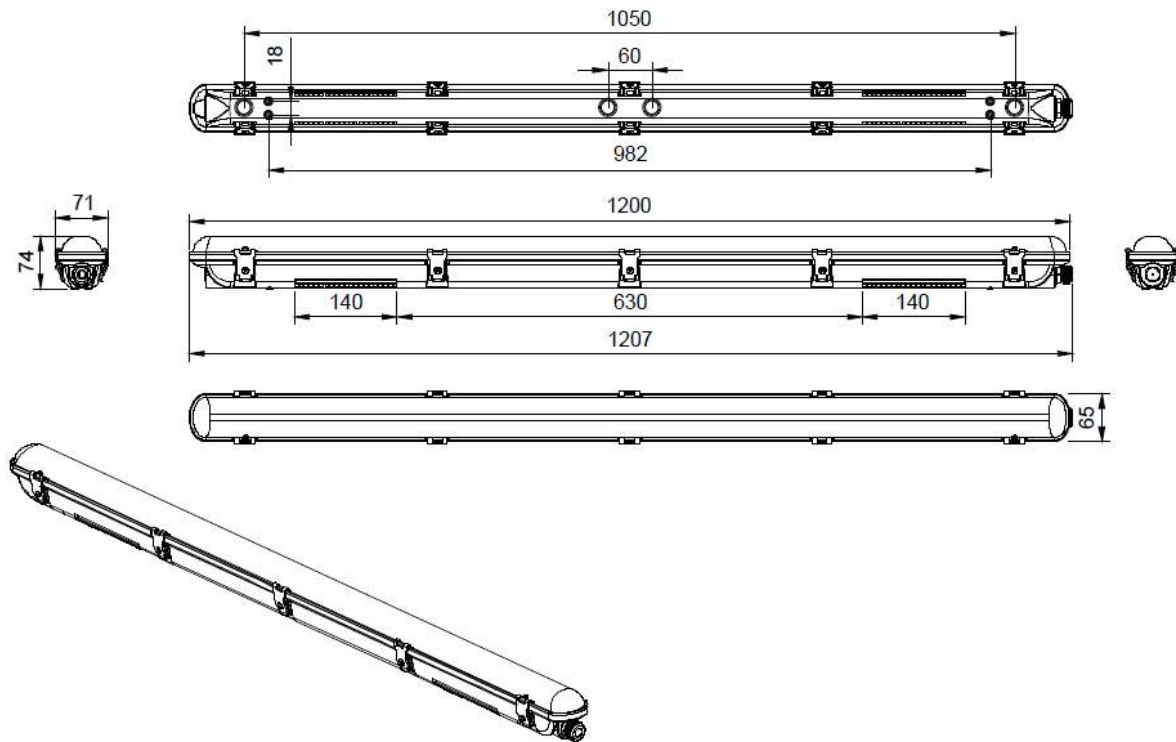


Smartbright Waterproof WT065 Mounting Brackets

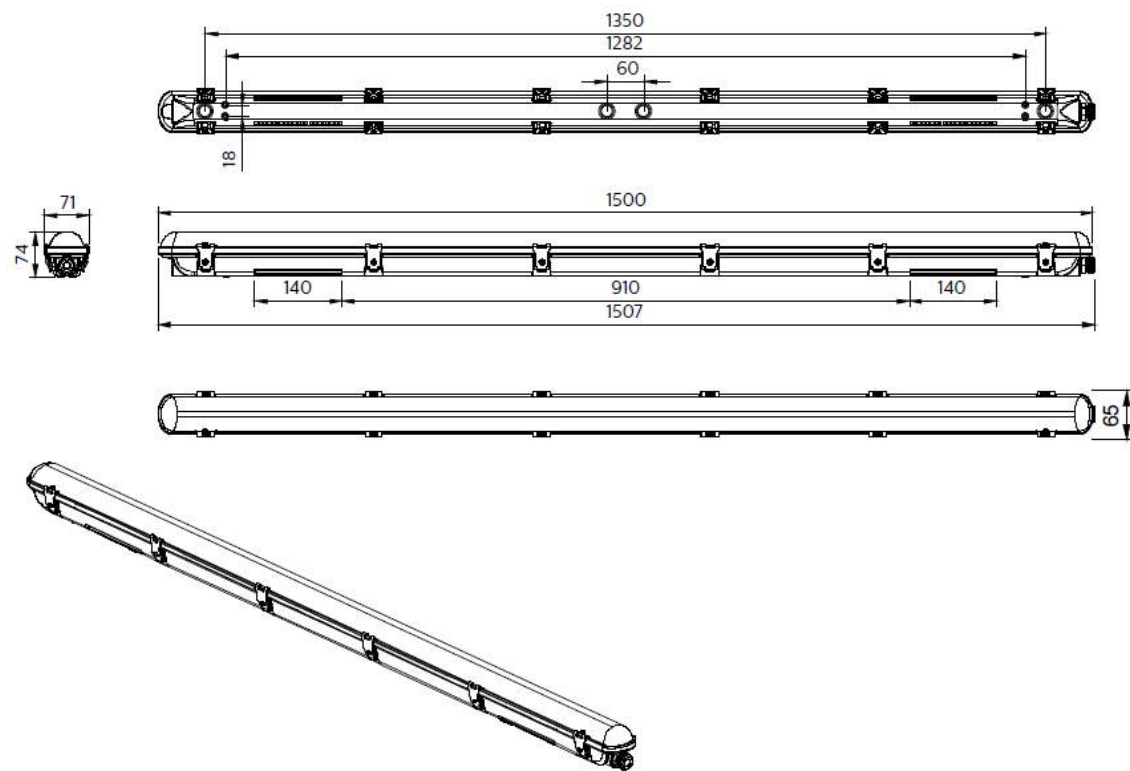


Smartbright Waterproof WT065

Dimensional Drawings



WT065C G2 L1200



WT065C G2 L1500

Smartbright Waterproof WT065

Specification

		Spec	Final Specification @ PPC
1. Light	optical system	Lumen output (typ.Avg) (lm)	4ft : 2400 lm, 4800 lm 5ft : 3500 lm, 6800 lm
		lumen output tolerance (+/-)	+10%, -10%
		CRI	≥80
		CCT	4000k, 6500K
		SDCM	≤ 6 (L2)
		Beam Angle	100°-120°
		2. Electronics	Driver (3rd / Philips / fixed etc)
Input Voltage and Frequency	220-240V, 50/60Hz		
Protection class of the luminaire against electrical shock hazard according to IEC 61140	Class I		
replaceable/upgradeable/removable	removable; driver fixed with screw special screw to fix clips (2 x screws as accessory in package)		
Power Factor (system)	>0.9		
Power consumption (system)	22W/41W/31W/50W		
power consumption tolerance (+/-)	+10%, -10%		
System Efficacy (lm/W)	4ft : 2400 lm, 4800 lm 115lm/W 5ft : 3500 lm 119lm/W, 6800 lm 135lm/W		
System Efficacy tolerance (+/-)	+10%, -10%		
THD	<20%		
TLA (Ripple, flicker free, MD/Fl in IEEE1789 or SVM in CIE TN 006:2016 or NEMA 77-2017 or IEC TR 61547-1 / 63158)	ripple current<40% Pst<1 SVM<2		
Surge Protection	1/2kV		

3. Mechanics	Housing material	housing - PC, Clips - 301 Stainless steel
	Cover material (Diffuser)	PC, UV resistant
	IPxx	IP65
	IKxx	IK08
	Glow wire rating	>850C 30sec
	Mounting	Surface Mounting and Suspended Brackets
	Power connection	Push in Connector
	Loop in capacity	Yes, interanal connector + knockouts on top and both sides
	Cable	no power cable internal - L2 to driver: teflon, others: PVC
	Color(s) (and RAL code)	L2 plate : white cover - white opal; housing : grey RAL7038
Size (LxWxH) + considerations	2FT: 600*70*71mm	
	4FT: 1200*70*71mm 5FT: 1500*70*71mm	
Packaging concept	unit carton: 1in1 Industrial Brown Box master carton: 9in1	
4. Thermal	Operating temperature range (°C)	-20C to +40C for PSU
	ta (°C)	25C
5. Reliability	Lifetime props (LxBy / FR@5000hrs / L80B10-outdoor @ ta35C)	30K hrs L70B50 @Ta 25C, 50Khr L65
	Warranty (FCR<1%) (including 0.5 yrs for transportation and stock)	3 Yrs
7. Approbation	Ta	25°C
	Meets flammability mark D demands	D-mark
9. Accessories	SC, louvres, suspension set, braket,...	yes, accessory - 2xbracket, 4x (screws+expansion bolt)

Smartbright Waterproof WT065

Order codes

12NC	Description	MOQ	MPQ	MAG	AG	CAG
911401802684	WT065C G2 LED48S/840 PSU L1200	9	9	B27	3248	324824
911401804384	WT065C G2 LED48S/865 PSU L1200	9	9	B27	3248	324824
911401804484	WT065C G2 LED68S/840 PSU L1500	9	9	B27	3248	324824
911401804584	WT065C G2 LED68S/865 PSU L1500	9	9	B27	3248	324824

Signify