



# Essential SmartBright LED Downlight

## DN027B G3 LED6/WW 6W 220-240V L100 SQ

Essential SmartBright G2 LED Downlight is value for money product with high efficacy, good quality and reliability. It offers multiple configurations from 300lm to 2000lm output, to replace conventional downlight. It can be used for shopping mall, retail store, residential and office. It's an ideal product family to distribute in trade market.

### Product data

General information	
Light source color	830 warm white
Light source replaceable	No
Number of gear units	1 unit
Driver/power unit/transformer	Power supply unit
Driver included	Yes
Optic type	Beam angle 110°
Luminaire light beam spread	110°
Cable	Cable 0.2 m without plug
Protection class IEC	Safety class II
Glow-wire test	Temperature 650 °C, duration 30 s
Flammability mark	For mounting on normally flammable surfaces
Warranty period	3 years
Constant light output	No
Number of products on MCB of 16 A type B	143
EU RoHS compliant	Yes

Light technical	
Color Rendering Index (Nom)	80
Operating and electrical	
Input Voltage	220 to 240 V
Input Frequency	50 or 60 Hz
Inrush current	1.82 A
Inrush time	0.12 ms
Power Factor (Min)	0.9
Controls and dimming	
Dimmable	No
Mechanical and housing	
Housing Material	Metal-Plastic
Reflector material	-
Optic material	Polycarbonate
Optical cover/lens material	Polycarbonate
Fixation material	Steel
Optical cover/lens finish	Matte

# Essential SmartBright LED Downlight

Overall length	125 mm
Overall width	125 mm
Overall height	40 mm
Color	White
Dimensions (Height x Width x Depth)	40 x 125 x 125 mm

## Approval and application

Ingress protection code	IP20/40 [ Finger-protected, Emitting surface]
Mech. impact protection code	IK03 [ 0.3 J]

## Initial performance (IEC compliant)

Initial luminous flux (system flux)	600 lm
Luminous flux tolerance	+/-10%
Initial LED luminaire efficacy	100.00 lm/W
Init. Corr. Color Temperature	3000 K
Init. Color Rendering Index	80
Initial chromaticity	(IEC3000K, 0.44, 0.403) < 5SDCM
Initial input power	6 W
Power consumption tolerance	+/-10%

## Over time performance (IEC compliant)

Driver failure rate at 5000 h	0.012 %
Median useful life L70B50	30000 h

## Application conditions

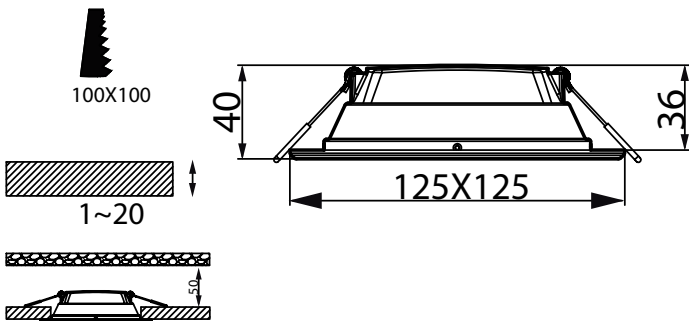
Ambient temperature range	-20 to +40 °C
Suitable for random switching	No

## Product data

Full product code	871951434526300
Order product name	DN027B G3 LED6/WW 6W 220-240V L100 SQ
EAN/UPC - Product	8719514345263
Order code	929002674838
Numerator - Quantity Per Pack	1
Numerator - Packs per outer box	24
Material Nr. (12NC)	929002674838
Net Weight (Piece)	0.140 kg

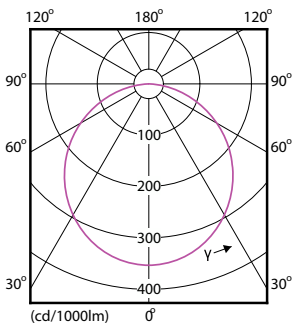


## Dimensional drawing

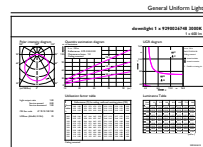


DN027B G3 LED6/WW 6W 220-240V L100 SQ

## Photometric data



Downlight\_DN027B\_G3\_LED6\_WW\_6W\_L100\_SQ-LDD



Downlight\_DN027B\_G3\_LED6\_WW\_6W\_L100\_SQ-GUL

## Essential SmartBright LED Downlight

